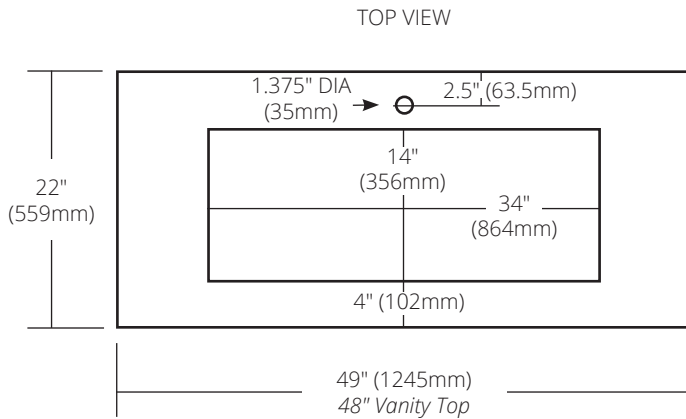
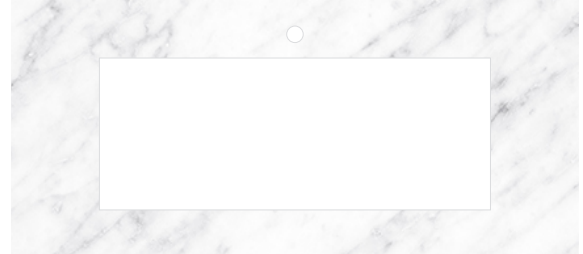


*SPECIFICATIONS*

**CARRARA MARBLE VANITY TOP**  
TROUGH CUTOUT WITH SINGLE FAUCET HOLE



**48" Vanity Top**

49"w x 22"d x .75"h (1245mm x 559mm x 19mm)

VNT48-CT

**PRODUCT DETAILS**

- Lightly polished Italian marble
- Pre-drilled with single faucet hole; also works for Trough 3619 without faucet hole (pre-drilled hole is covered by sink)

**COORDINATING PRODUCTS**

- Trough 3619 sink
- Drains: DR120, DR130 or DR150

**IMPORTANT**

Due to the handcrafted nature of this product, it will vary in finish, texture, and other details. Dimensions may vary up to 1/4" (6mm).